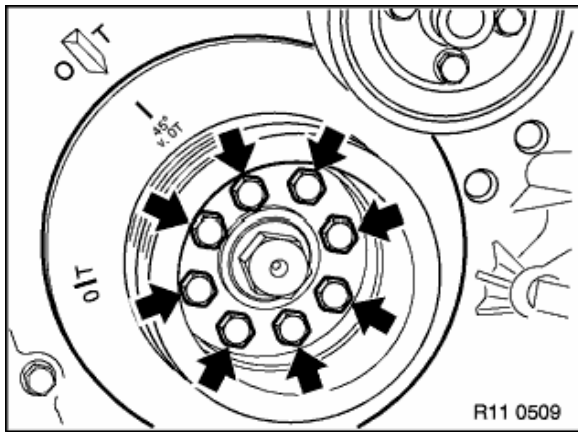


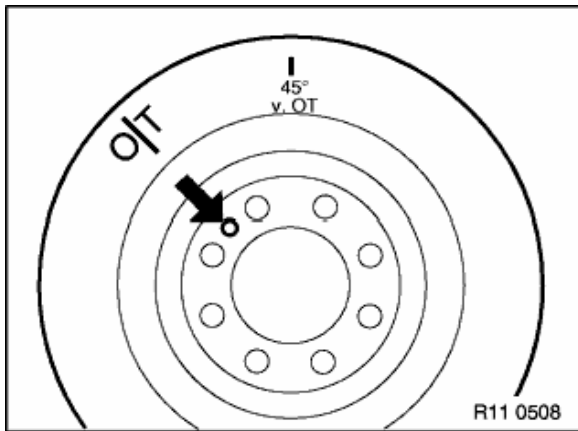
Unscrew and remove splash guard.

Remove alternator drive belt,
refer to 11 28 010

Remove drive belt for a/c compressor,
refer to 11 28 050



Release screws and remove vibration damper.



Installation:

The vibration damper is located with a dowel pin. Replace screws.

Tightening torque,
refer to Technical Data 11 23 3AZ